

PATENT ABSTRACTS OF JAPAN

(11)Publication number : **08-129557**

(43)Date of publication of application : **21.05.1996**

(51)Int.Cl. **G06F 17/30**
G06F 15/02

(21)Application number : **06-266929**

(71)Applicant : **TOSHIBA CORP**

(22)Date of filing : **31.10.1994**

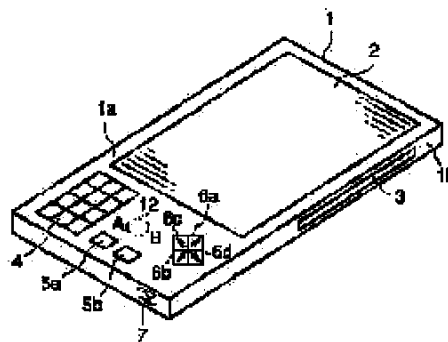
(72)Inventor : **EIDAA RICHIIYAADO**

(54) PORTABLE ELECTRONIC READING DEVICE

(57)Abstract:

PURPOSE: To automatically change the direction of display contents only by changing the direction of a case by a reader even if a fixed-form and longitudinally long text, a laterally long figure, a photograph, a table, etc., is present in an electronic publication.

CONSTITUTION: A direction sensor 12 which detects whether or not the length direction of a liquid crystal display unit 2 is horizontal, is provided in the case 1, and when the direction sensor 12 detects its horizontal direction, characters or image information read out of the electronic publication is rotated by 90°. The characters or image information which has been rotated by 90° is displayed and outputted on the liquid crystal display unit. If front and rear scroll keys 6a and 6b and left and right scroll keys 6c and 6d are operated while the direction sensor 12 detects the horizontal direction, the directions of the respective scroll keys are converted to scroll the image information displayed on the liquid crystal display unit in the left-right directions and front-rear directions.



(19)日本国特許庁 (J P)

(12) 公開特許公報 (A)

(11)特許出願公開番号

特開平8-129557

(43)公開日 平成8年(1996)5月21日

(51)Int.Cl. ⁶	識別記号	庁内整理番号	F I	技術表示箇所
G 0 6 F 17/30				
15/02	3 1 5 C	9194-5L	G 0 6 F 15/ 40	3 1 0 H

審査請求 未請求 請求項の数3 O L (全 8 頁)

(21)出願番号 特願平6-266929

(22)出願日 平成6年(1994)10月31日

(71)出願人 000003078

株式会社東芝

神奈川県川崎市幸区堀川町72番地

(72)発明者 エイダー・リチャード

東京都府中市東芝町1番地 株式会社東芝

府中工場内

(74)代理人 弁理士 鈴江 武彦

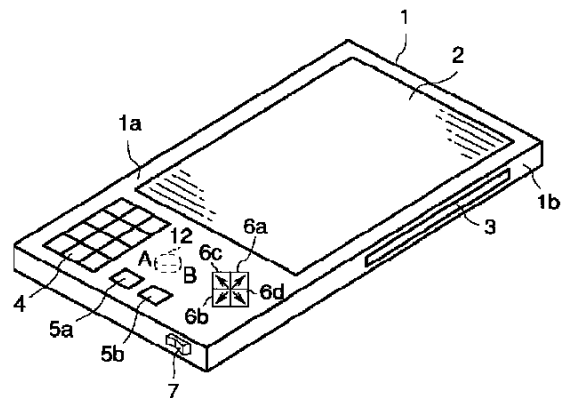
(54) 【発明の名称】 携帯型電子読書装置

(57) .

.

.

0



(2)

2

0 0

1

.

10

.....= .

=

0

↘

...

...

0

=

00

0,

=

0

.

.....0 .

0

20

=

00

0,

.

..... .

0

,

A

30

..... .

.

A

A

.

..... .

.

..... .

.

40

..... .

0

↘

...

A

...

..... .

50

..... .

...

(3)

0 0

3

4

... 0 ...
 ...

... 0 ...
 ...

10

.....

20

.....

.....

30

..... = .

.....

=

40

=

0,

00

0

=

..... 0 .

50

..... 0

0

(5)

00

7

8

» ...

= 0

0

0

...

...

F 0

»

...

.....=.

..... .

00

F

F

F

10

0

=

»

0

0

0»

F

F

.....= 0 .

..... .

F

...

=

0

F

F

.....= .

..... .

F

0

20

0

F

.....= .

..... .

0

A

.....=.....

»

...

30

0

.....= .

»

...

...

.....= .

...

.

.....= .

40

...

.....= .

»

.....0.....

0

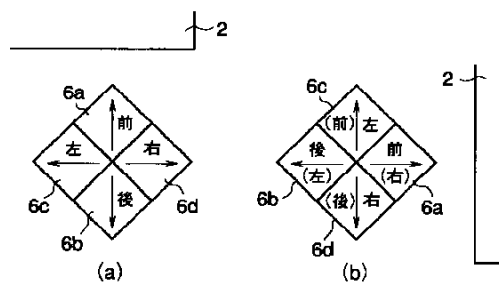
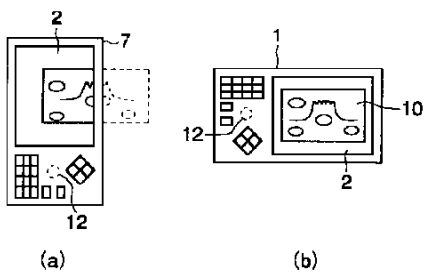
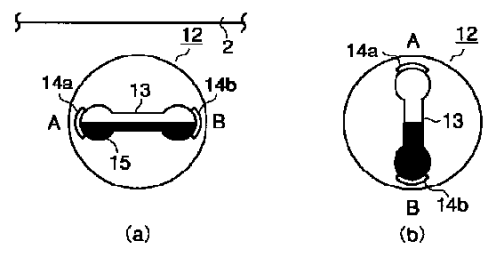
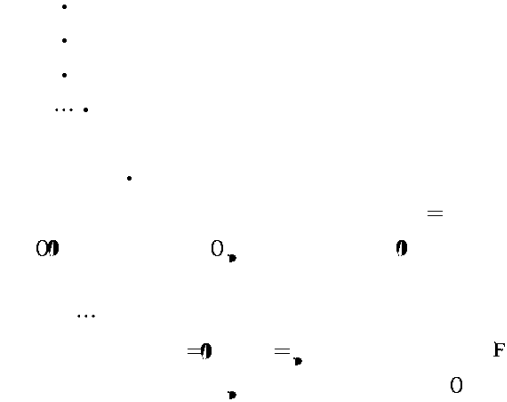
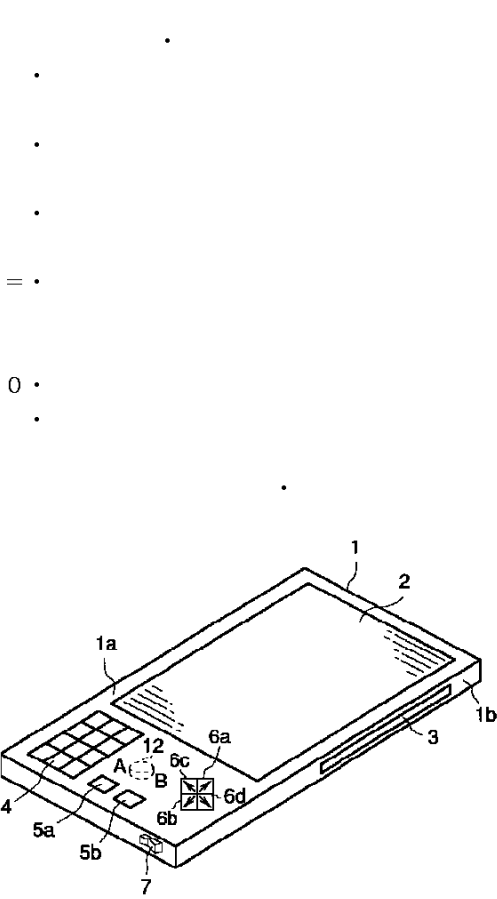
0

50

.....= .

9

10



0 .

